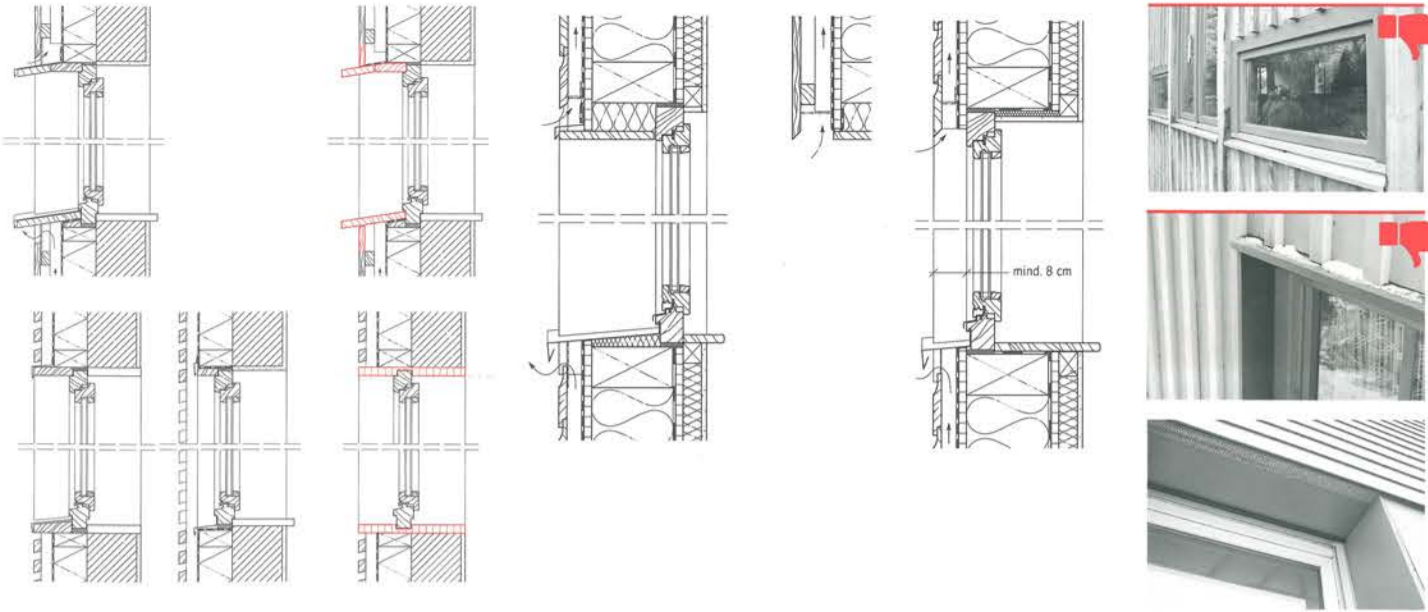


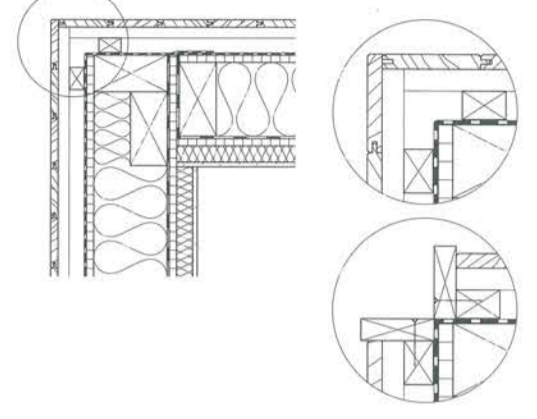
Window casement design

Window casement ventilation gaps

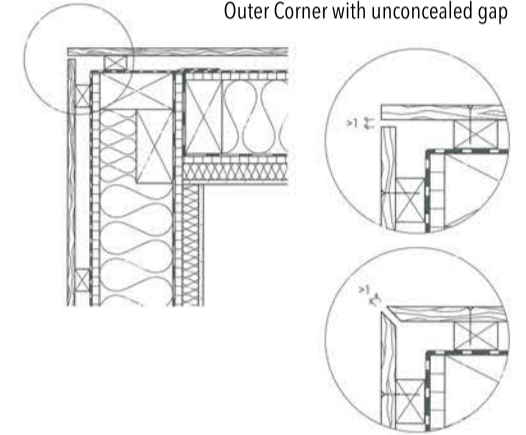
Window casement depth



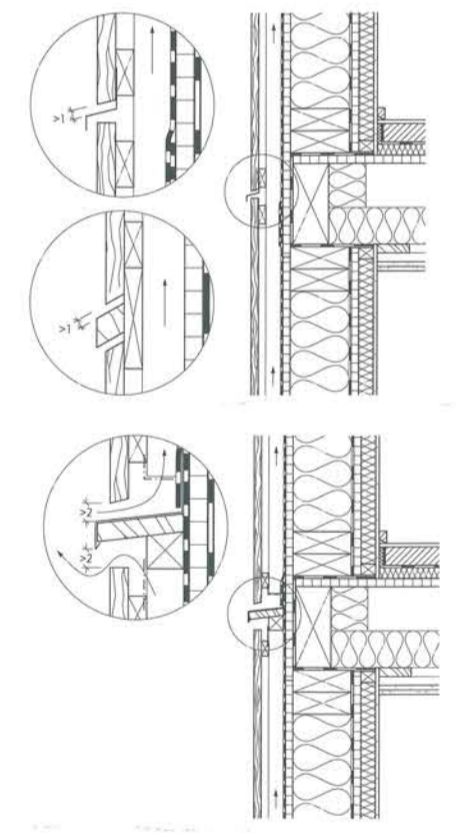
Outer corner adjacent to vertical shuttering



Outer Corner with unconcealed gap



Horizontal Connection Gap



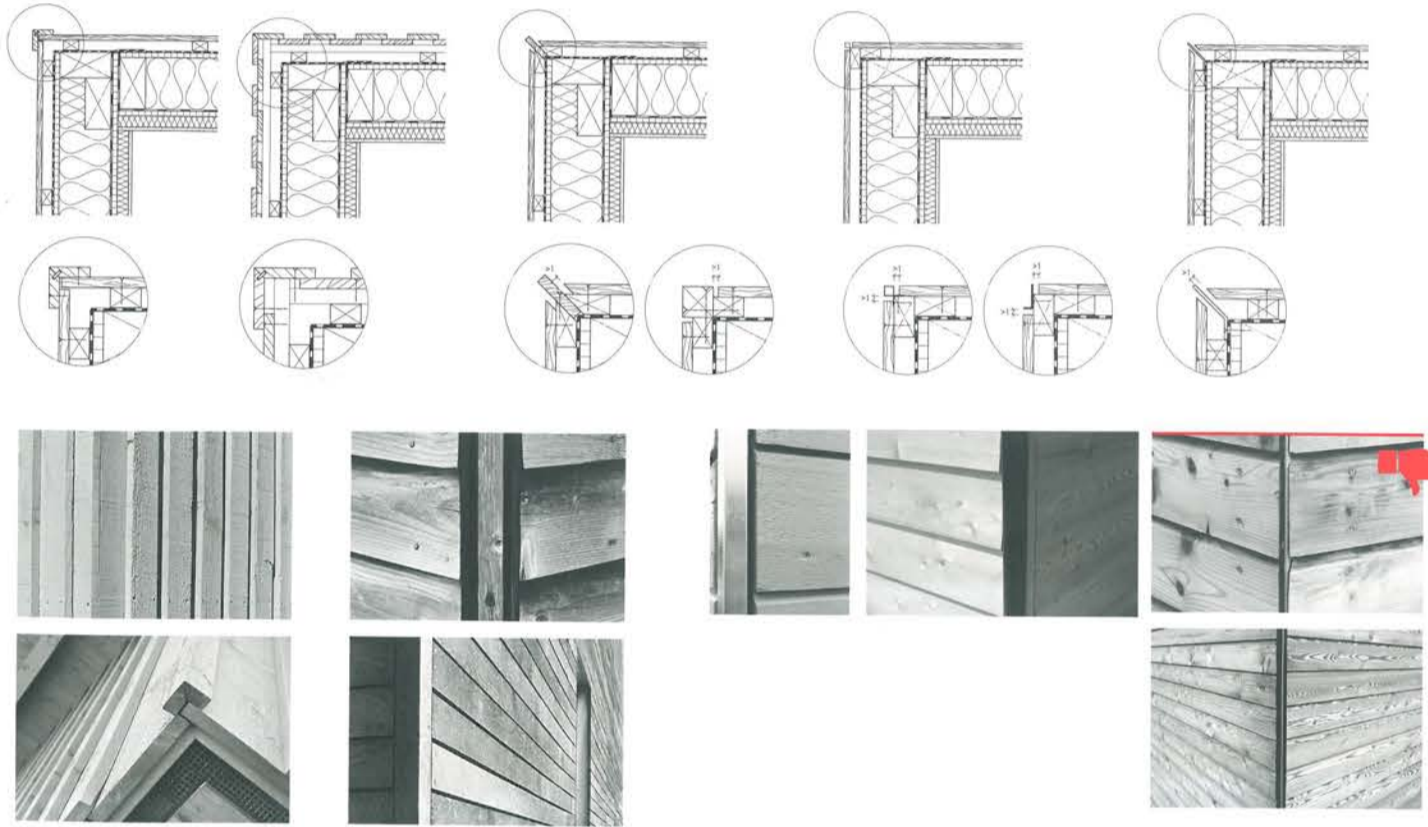
WOODED FACADES: THE DEVIL IS IN THE DETAIL

Michal Popov

Outer corner with wooden L-shape profile

Outer corner with wooden slat

Outer corner with metal profile

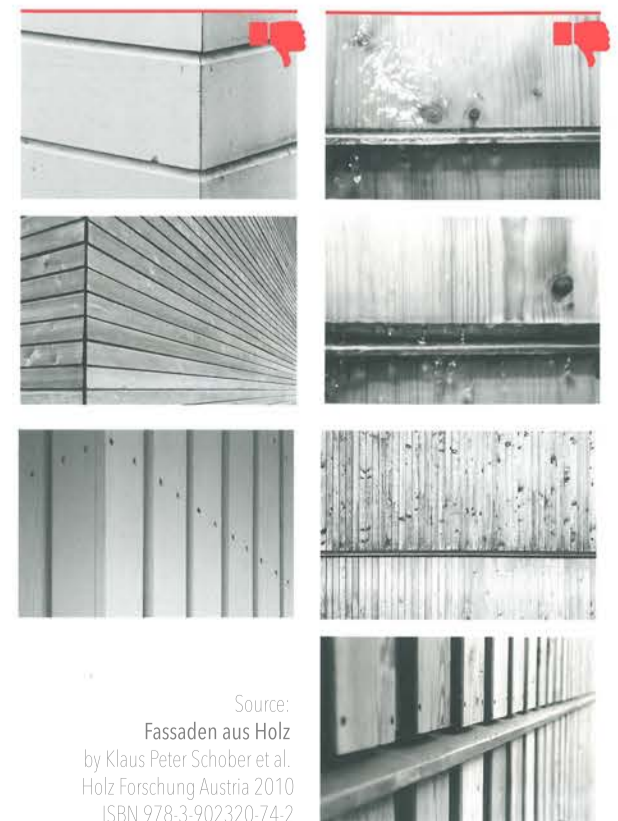
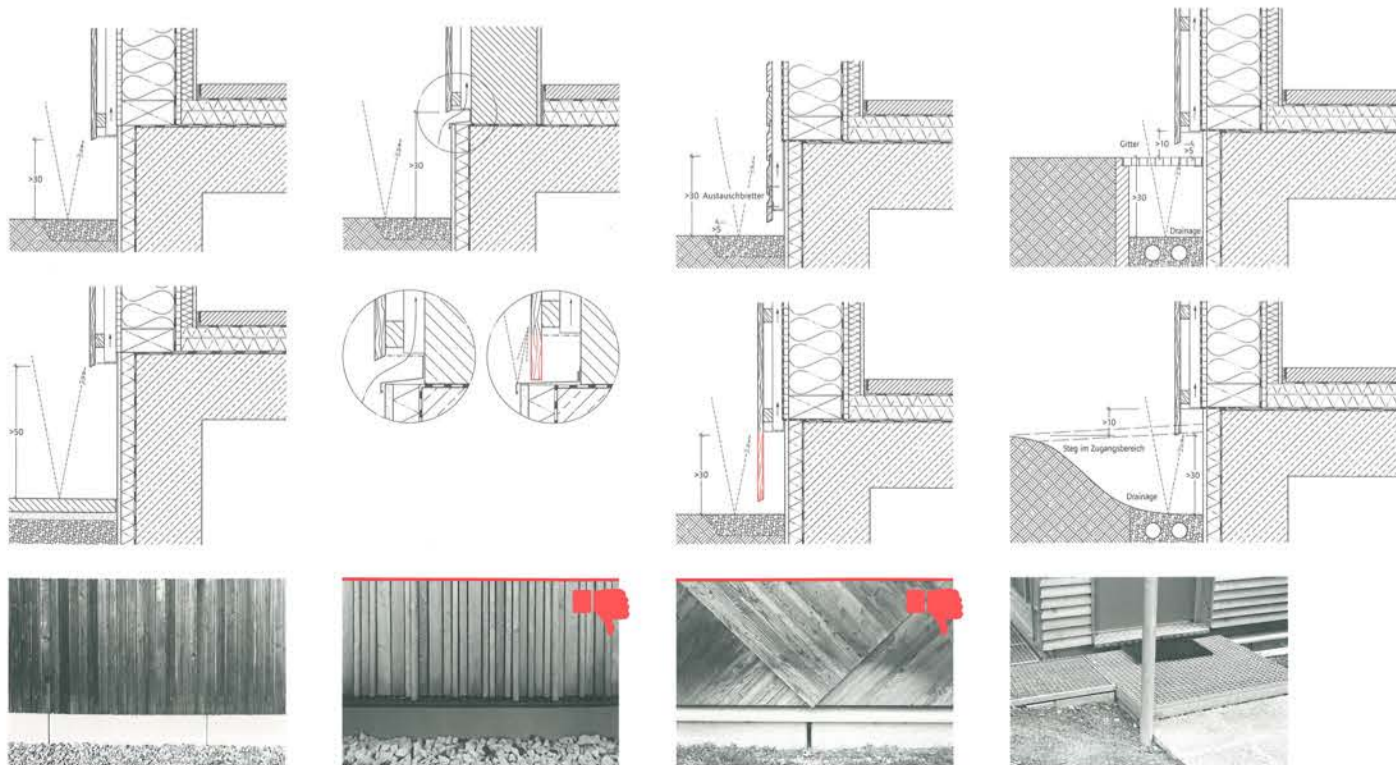


Base gap

Base with Z-shaped metal profile

Horizontal Connection Gap

Wooden facade - terrain edge profile



Source:
Fassaden aus Holz
by Klaus Peter Schober et al.
Holz Forschung Austria 2010
ISBN 978-3-902320-74-2